

1 2 3 4 5 6

A

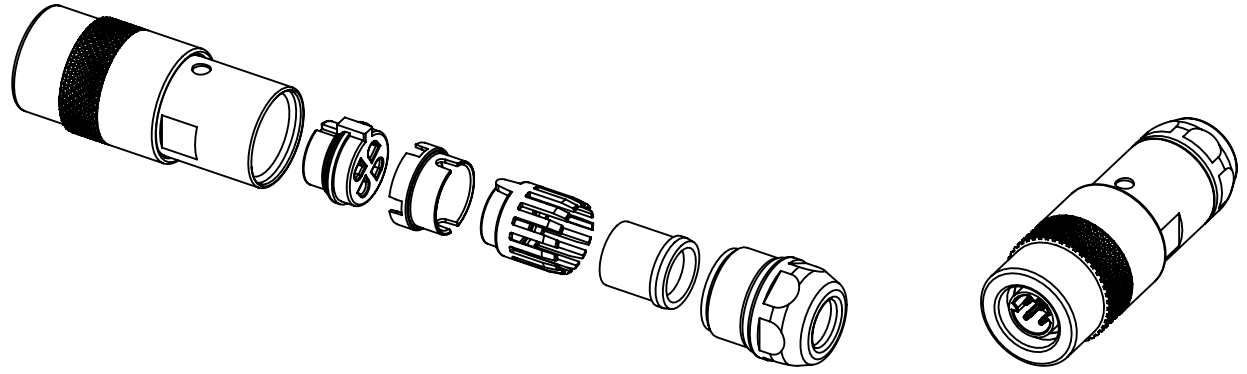
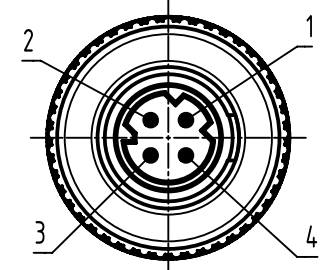
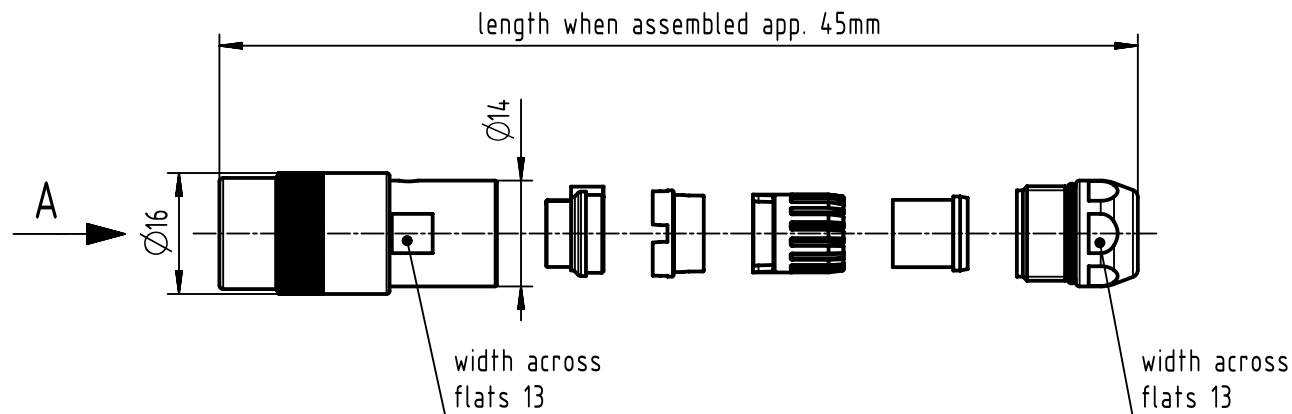
B

C


D

A (2:1)

contact face acc. to
IEC 61076-2-114



conductor cross section	AWG22
cable outside diameter	6.2 - 6.8mm

	All Dimensions in mm Original Size DIN A4	Scale	Free size tol.		Ref.	
		1:1			Sub.	
All rights reserved Department EL PD	HARTING Electronics GmbH D-32339 Espelkamp	Created by	Inspected by	Standardisation	Date	State
		BUSSMANN	FRIESENH	302077	2020-12-04	Final Release
Title					Doc-Key / ECM-Nr.	
M8-PP-CC-IDC-4P-DCOD-M-STR-SHLD					100789833/UGD/001/B 500000184.191	
Type		Number		Rev.	Page	
TB		21021851430		B	1/1	